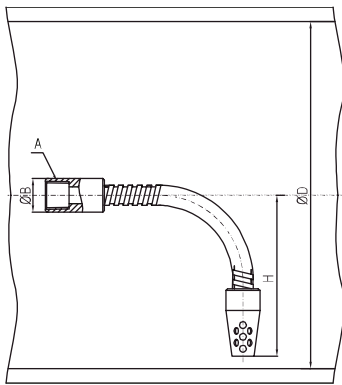


Syphon Hose



■ Features

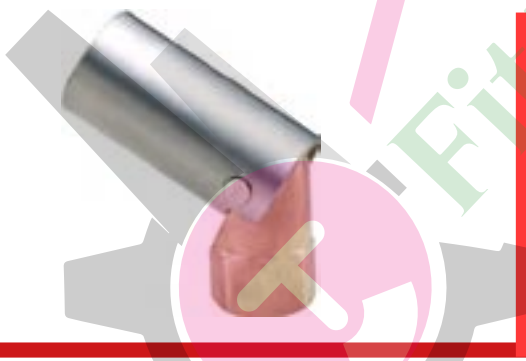
- Fixed Style Syphon
- Recommended for less than Ø500 sized diameter of the roll.
- *When you order syphon hose. Please inform us of the length of horizontal pipe and inner diameter of the roll.



[unit : mm]

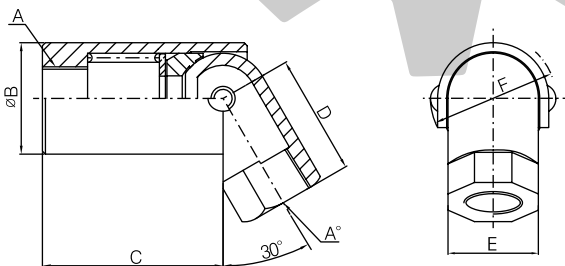
Nominal Size		A (PT)	B	H
6A	1/8"	1/8	19	D/2 -20~30
8A	1/4"	1/4	19	
10A	3/8"	3/8	22	
15A	1/2"	1/2	28	
20A	3/4"	3/4	38	

Syphon Elbow



■ Features

- Pin connection between Horizontal & Vertical pipes allows free bending
- Spherical Seal face & Teflon Sealing
- Fixed type Syphon Elbow is recommended for over Ø500 sized rolls.
- Please Operate under 200RPM for Roll 60" in paper industry.



[unit : mm]

Nominal Size	A (PT)	A° (PT)	B	C	D	E	F	Net Wt.kg
10A	3/8"	3/8"	37	60	40	30	37	0.5
15A	1/2"	1/2"	37	60	40	30	37	0.5
20A	3/4"	3/4"	45	70	50	36	46	0.8
25A	1"	1"	50	85	60	42	51	1.0
32A	1-1/4"	1-1/4"	62	95	70	52	63	1.8
40A	1-1/2"	1-1/2"	70	105	80	60	71	2.3