

# 5000 Series Rotary Joints



### Operating Condition

Size Range : 10A~40A (3/8"~1.1/2")

Max. Pressure : 140kg/cm<sup>2</sup> (2000PSI)

Max. Rotation Speed : 2000RPM

Max. Temperature : 80°C (180°F)

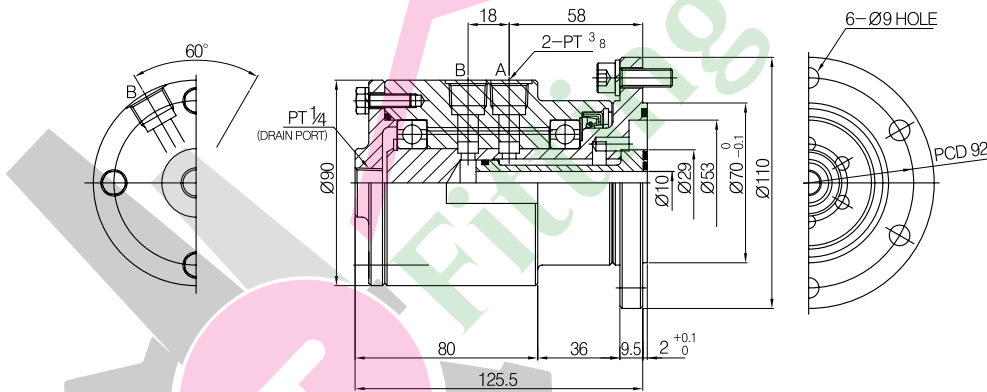
Media : Hydraulic Oil

\* Avoid max. pressure at max. rpm operation

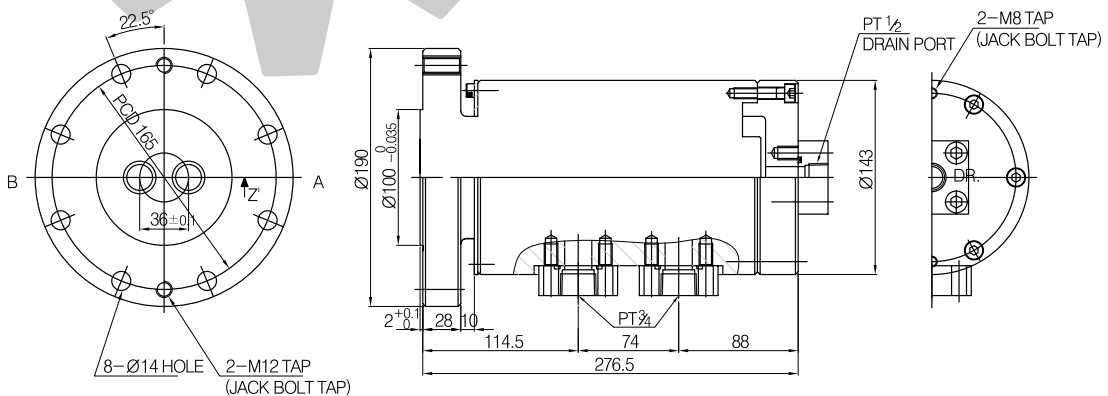
### Features

- Labyrinth Sealing Structure
- Low friction at High pressure & High speed
- Long service life
- Continuous Oil pressure supply
- Drain port should keep open, never close

#### FTKR5005-10A-8A

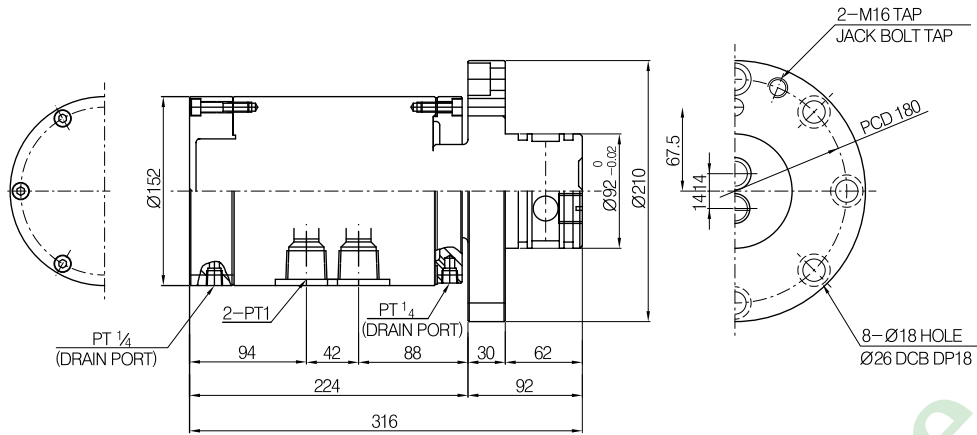


#### FTKR5005-20A-15A

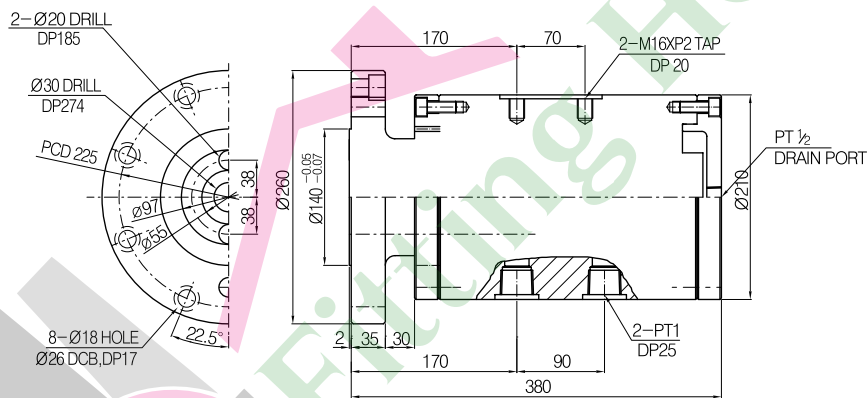


# 5000 Series Rotary Joints

▼ FTKR5005-25A-8A



▼ FTKR5005-25A\*2P-15A



▼ FTKR5005-25A\*3P-15A

