

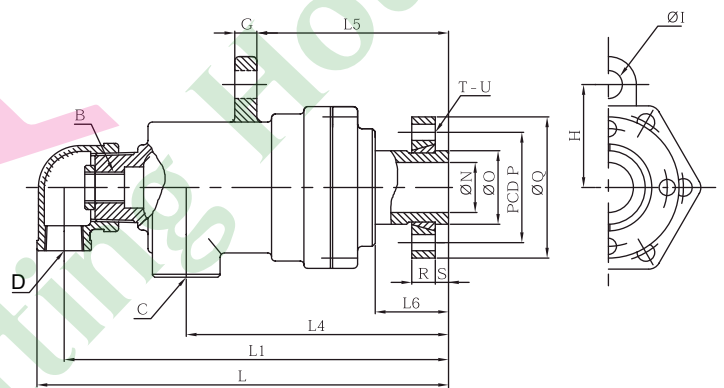
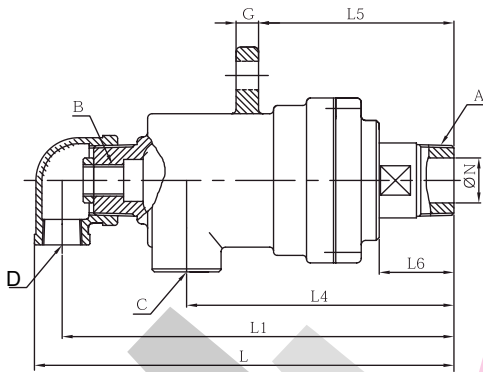
# 3200 Series Rotary Joints



[DUPLEX | STATIONARY SYPHON]

▼ FTKR3201 / FTKR3202

▼ FTKR3205



[unit : mm]

MODEL NO.		A	B	C	D	G	H	I	L	L1	L4	L5	L6	N	X	Wt
PT [RH]	PT [LH]	(PT)	(PF)	(PT)	(PT)											(kg)
FTKR3201-15A-6A	FTKR3202-15A-6A	1/2"	1/8"	1/2"	1/2"	12	49	Ø15	192	178	117	89	33	14	21	2.2
FTKR3201-20A-8A	FTKR3202-20A-8A	3/4"	1/4"	3/4"	3/4"	9	55	Ø14	221	204	132	98	38	18	26	3
FTKR3201-25A-10A	FTKR3202-25A-10A	1"	3/8"	1"	3/4"	10	65	Ø14	243	226	144	113	43	23	32	4
FTKR3201-32A-15A	FTKR3202-32A-15A	1-1/4"	1/2"	1"	3/4"	12	70	Ø19	272	253	176	125	49	30	46	6
FTKR3201-40A-20A	FTKR3202-40A-20A	1-1/2"	3/4"	1"	3/4"	12	70	Ø19	272	253	176	125	49	34	46	6
FTKR3201-50A-25A	FTKR3202-50A-25A	2"	1"	1-1/2"	1"	16	92	Ø23	324	303	204	156	63	48	60	10.5
FTKR3201-65A-40A	FTKR3202-65A-40A	2-1/2"	1-1/2"	2"	1-1/2"	18	110	Ø23	361	333	215	171	64.5	60	75	15.5
FTKR3201-80A-50A	FTKR3202-80A-50A	3"	2"	2-1/2"	2"	24	125	Ø25	435	395	263	199	72.5	70	85	27

MODEL NO.	B	C	D	G	H	I	L	L1	L4	L5	L6	N	O	P	Q	R	S	T	U	Wt
FLANGE	(PF)	(PT)	(PT)																	(kg)
FTKR3205-15A-6A	1/8"	1/2"	1/2"	12	49	Ø15	192	178	117	89	40	14	25	45	62	11	8	4	Ø9	2.4
FTKR3205-20A-8A	1/4"	3/4"	3/4"	9	55	Ø14	221	204	132	98	38	18	30	54	74	13	8	4	Ø11	3.4
FTKR3205-25A-10A	3/8"	1"	3/4"	10	65	Ø14	243	226	144	113	43	23	35	60	80	14	9	4	Ø11	4.3
FTKR3225-40A-20A	3/4"	1"	3/4"	12	70	Ø19	272	253	176	129	49	34	50	75	96	16	9	4	Ø11	7
FTKR3205-50A-25A	1"	1-1/2"	1"	16	92	Ø23	324	303	204	156	63	48	65	95	120	19	10	4	Ø14	12
FTKR3205-65A-40A	1-1/2"	2"	1-1/2"	18	110	Ø23	356	328	210	166	60	60	80	110	136	20	12	4	Ø14	17
FTKR3205-80A-50A	2"	2-1/2"	2"	24	125	Ø25	432	392	260	196	70	70	90	125	154	20	12	6	Ø14	30

# 3200 Series Rotary Joints



### Operating Condition

- Size Range : 15A~80A (1/2"~3")
- Max. Pressure : 15kg/cm<sup>2</sup> (210PSI)
- Max. Rotation Speed :
  - 15A~25A (1/2"~1") : 300RPM
  - 32A~80A (1.1/4"~3") : 150RPM
- Max. Temperature : 220°C (420°F)
- Media : Hot Oil
- \* Avoid max. pressure at max. rpm operation

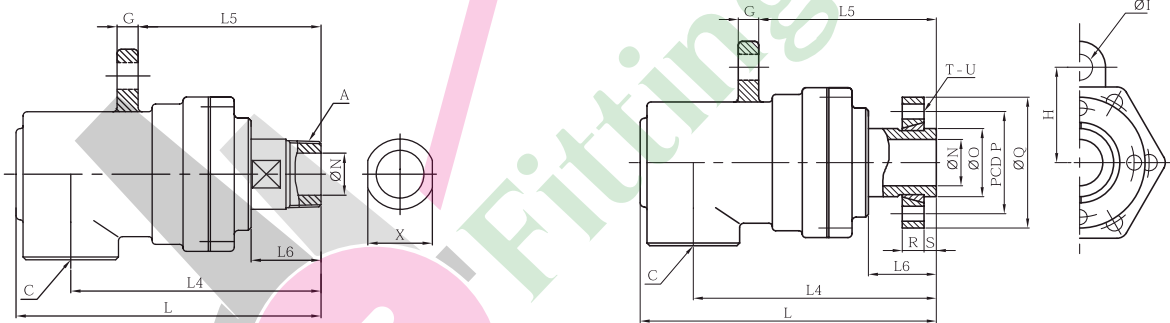
### Features

- Spherical Sealing
- Two Widely-Spaced Carbon Bearing
- Self-supported & Alignment rotating union
- Easily field repairable
- For Hot Oil media
- Over Max.Temp.(220°C/420°F), consult Fitting House

### [SINGLE]

▼ FTKR3211 / FTKR3212

▼ FTKR3215



[unit : mm]

MODEL NO.		A	C	G	H	I	L	L4	L5	L6	N	X	Wt
PT [RH]	PT [LH]	(PT)	(PT)										(kg)
FTKR3211-15A	FTKR3212-15A	1/2"	1/2"	12	49	Ø15	142	117	89	33	14	21	2
FTKR3211-20A	FTKR3212-20A	3/4"	3/4"	9	55	Ø14	160	132	98	38	18	26	2.6
FTKR3211-25A	FTKR3212-25A	1"	1"	10	65	Ø14	180	144	113	43	23	32	3.6
FTKR3211-32A	FTKR3212-32A	1-1/4"	1-1/2"	12	70	Ø19	216	176	129	49	30	46	6.6
FTKR3211-40A	FTKR3212-40A	1-1/2"	1-1/2"	12	70	Ø19	216	176	129	49	34	46	6.6
FTKR3211-50A	FTKR3212-50A	2"	2"	16	92	Ø23	248	192	158	63	48	60	10.2
FTKR3211-65A	FTKR3212-65A	2-1/2"	2-1/2"	18	110	Ø23	267.5	206.5	170.5	64.5	60	75	13.7
FTKR3211-80A	FTKR3212-80A	3"	3"	24	125	Ø25	320.5	262.5	198.5	72.5	70	85	24.5

MODEL NO.	C	G	H	I	L	L4	L5	L6	N	O	P	Q	R	S	T	U	Wt
FLANGE	(PT)																(kg)
FTKR3215-15A	1/2"	12	49	Ø15	142	117	89	40	14	25	45	62	11	8	4	Ø9	2.2
FTKR3215-20A	3/4"	9	55	Ø14	160	132	98	38	18	30	54	74	13	8	4	Ø11	3
FTKR3215-25A	1"	10	65	Ø14	180	144	113	43	23	35	60	80	14	9	4	Ø11	4
FTKR3215-40A	1-1/2"	12	70	Ø19	216	176	129	49	34	50	75	96	16	9	4	Ø11	7
FTKR3215-50A	2"	16	92	Ø23	248	192	156	63	48	65	95	120	19	10	4	Ø11	12
FTKR3215-65A	2-1/2"	18	110	Ø23	263	210	166	60	60	80	110	136	20	12	4	Ø14	15.2
FTKR3215-80A	3"	24	125	Ø25	318	260	196	70	70	90	125	154	20	12	6	Ø14	27.5

